

rineck
• Werkzeugtechnik



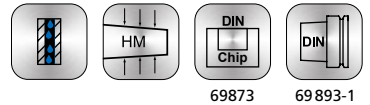
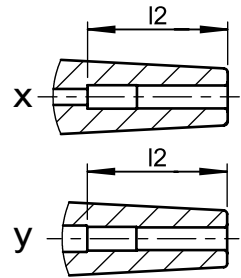
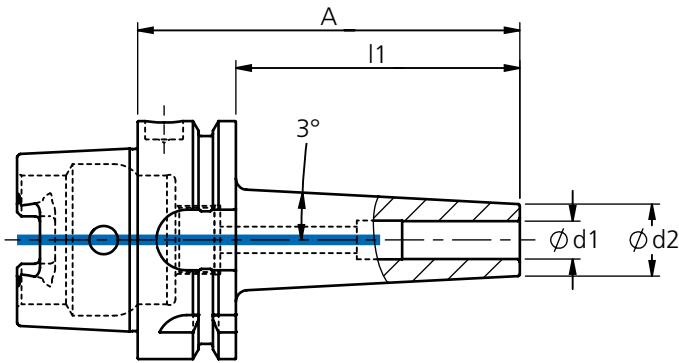
Inch & Metric

HSK-A63 Shrink Tools

TOOLS ARE OUR PASSION  MADE IN GERMANY




Shrink fit chuck HSK-A63, slim execution 3°

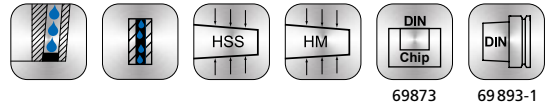
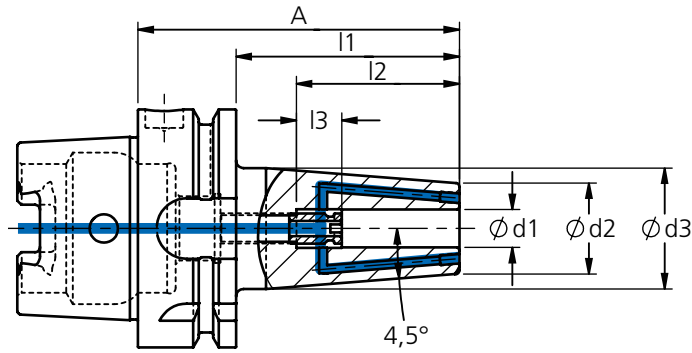




69873

69893-1

order number	HSK	Ø d1	Ø d2	Ø d3	A	l1	l2	x	y	
915Z-A63-1/8-2.95	A63	1/8	0.43	-	3.98	2.95	0.47	-	x	G2.5/25.000 or U<1gmm
915Z-A63-1/8-3.94	A63	1/8	0.43	-	4.96	3.94	0.47	-	x	
915Z-A63-1/8-5.91	A63	1/8	0.43	-	6.93	5.91	0.47	-	x	
915Z-A63-1/8-7.87	A63	1/8	0.43	-	8.90	7.87	0.47	-	x	
915Z-A63-3/16-2.95	A63	3/16	0.51	-	3.98	2.95	0.63	-	x	
915Z-A63-3/16-3.94	A63	3/16	0.51	-	4.96	3.94	0.63	-	x	
915Z-A63-3/16-5.91	A63	3/16	0.51	-	6.93	5.91	0.63	-	x	
915Z-A63-3/16-7.87	A63	3/16	0.51	-	8.90	7.87	0.63	-	x	
915Z-A63-1/4-2.95	A63	1/4	0.59	-	3.98	2.95	1.42	-	x	
915Z-A63-1/4-3.94	A63	1/4	0.59	-	4.96	3.94	1.42	-	x	
915Z-A63-1/4-5.91	A63	1/4	0.59	-	6.93	5.91	1.42	-	x	
915Z-A63-1/4-7.87	A63	1/4	0.59	-	8.90	7.87	1.42	-	x	
915Z-A63-1/4-9.84	A63	1/4	0.59	-	10.87	9.84	1.42	x	-	
915Z-A63-1/4-11.81	A63	1/4	0.59	-	12.83	11.81	1.42	x	-	
915Z-A63-5/16-2.95	A63	5/16	0.67	-	3.98	2.95	1.42	-	x	
915Z-A63-5/16-3.94	A63	5/16	0.67	-	4.96	3.94	1.42	-	x	
915Z-A63-5/16-5.91	A63	5/16	0.67	-	6.93	5.91	1.42	-	x	
915Z-A63-5/16-7.87	A63	5/16	0.67	-	8.90	7.87	1.42	-	x	
915Z-A63-5/16-9.84	A63	5/16	0.67	-	10.87	9.84	1.42	x	-	
915Z-A63-5/16-11.81	A63	5/16	0.67	-	12.83	11.81	1.42	x	-	
915Z-A63-3/8-2.95	A63	3/8	0.75	-	3.98	2.95	1.65	x	-	
915Z-A63-3/8-3.94	A63	3/8	0.75	-	4.96	3.94	1.65	x	-	
915Z-A63-3/8-5.91	A63	3/8	0.75	-	6.93	5.91	1.65	x	-	
915Z-A63-3/8-7.87	A63	3/8	0.75	-	8.90	7.87	1.65	x	-	
915Z-A63-3/8-9.84	A63	3/8	0.75	-	10.87	9.84	1.65	x	-	
915Z-A63-3/8-11.81	A63	3/8	0.75	-	12.83	11.81	1.65	x	-	
915Z-A63-7/16-2.95	A63	7/16	0.87	-	3.98	2.95	1.65	x	-	
915Z-A63-7/16-3.94	A63	7/16	0.87	-	4.96	3.94	1.65	x	-	
915Z-A63-7/16-5.91	A63	7/16	0.87	-	6.93	5.91	1.65	x	-	
915Z-A63-7/16-7.87	A63	7/16	0.87	-	8.90	7.87	1.65	x	-	
915Z-A63-1/2-2.95	A63	1/2	0.87	-	3.98	2.95	1.85	x	-	
915Z-A63-1/2-3.94	A63	1/2	0.87	-	4.96	3.94	1.85	x	-	
915Z-A63-1/2-5.91	A63	1/2	0.87	-	6.93	5.91	1.85	x	-	
915Z-A63-1/2-7.87	A63	1/2	0.87	-	8.90	7.87	1.85	x	-	

Shrink fit chuck HSK-A63 execution 4,5° with closeable cooling jets, including length adjusting screw

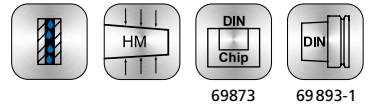
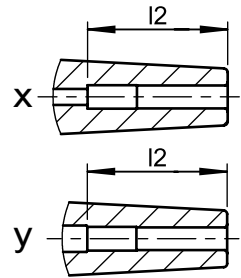
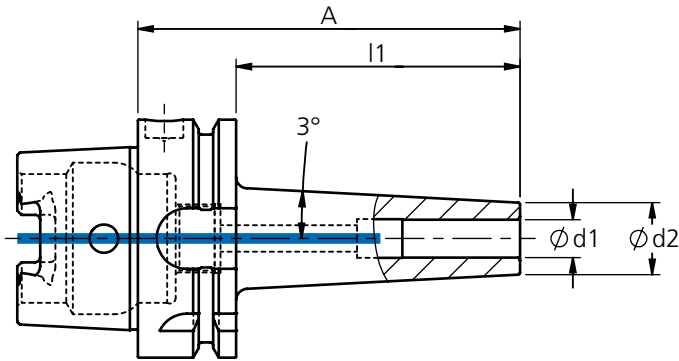


order number	HSK	Ø d1	Ø d2	Ø d3	A	l1	l2	l3		
995Z-A63-1/8-A3.15	A63	1/8	0.43	0.59	3.15	2.13	0.47	-	-	G2.5/25.000 or U<1gmm
995Z-A63-1/8-A4.72	A63	1/8	0.43	0.59	4.72	3.70	0.47	-	-	
995Z-A63-3/16-A3.15	A63	3/16	0.55	0.87	3.15	2.13	0.63	-	-	
995Z-A63-3/16-A4.72	A63	3/16	0.55	0.87	4.72	3.70	0.63	-	-	
995Z-A63-1/4-A3.15	A63	1/4	0.83	1.06	3.15	2.13	1.42	0.39	948 001	
995Z-A63-1/4-A4.72	A63	1/4	0.83	1.06	4.72	3.70	1.42	0.39	948 001	
995Z-A63-1/4-A5.12	A63	1/4	0.83	1.06	5.12	4.09	1.42	0.39	948-001	
995Z-A63-1/4-A6.30	A63	1/4	0.83	1.06	6.30	5.28	1.42	0.39	948 001	
995Z-A63-5/16-A3.15	A63	5/16	0.83	1.06	3.15	2.13	1.42	0.39	948 002	
995Z-A63-5/16-A4.72	A63	5/16	0.83	1.06	4.72	3.70	1.42	0.39	948 002	
995Z-A63-5/16-A5.12	A63	5/16	0.83	1.06	5.12	4.09	1.42	0.39	948-002	
995Z-A63-5/16-A6.30	A63	5/16	0.83	1.06	6.30	5.28	1.42	0.39	948 002	
995Z-A63-3/8-A3.35	A63	3/8	0.94	1.26	3.35	2.32	1.65	0.39	948 003	
995Z-A63-3/8-A4.72	A63	3/8	0.94	1.26	4.72	3.70	1.65	0.39	948 003	
995Z-A63-3/8-A5.12	A63	3/8	0.94	1.26	5.12	4.09	1.65	0.39	948-003	
995Z-A63-3/8-A6.30	A63	3/8	0.94	1.26	6.30	5.28	1.65	0.39	948 003	
995Z-A63-1/2-A3.54	A63	1/2	0.94	1.26	3.54	2.52	1.85	0.39	948 004	
995Z-A63-1/2-A4.72	A63	1/2	0.94	1.26	4.72	3.70	1.85	0.39	948 004	
995Z-A63-1/2-A5.12	A63	1/2	0.94	1.26	5.12	4.09	1.85	0.39	948-004	
995Z-A63-1/2-A6.30	A63	1/2	0.94	1.26	6.30	5.28	1.85	0.39	948 004	
995Z-A63-5/8-A3.74	A63	5/8	1.06	1.34	3.74	2.72	1.97	0.39	948-005	
995Z-A63-5/8-A4.72	A63	5/8	1.06	1.34	4.72	3.70	1.97	0.39	948-005	
995Z-A63-5/8-A5.12	A63	5/8	1.06	1.34	5.12	4.09	1.97	0.39	948-005	
995Z-A63-5/8-A6.30	A63	5/8	1.06	1.34	6.30	5.28	1.97	0.39	948-005	
995Z-A63-3/4-A3.94	A63	3/4	1.30	1.65	3.94	2.91	2.05	0.39	948-006	
995Z-A63-3/4-A4.72	A63	3/4	1.30	1.65	4.72	3.70	2.05	0.39	948-006	
995Z-A63-3/4-A5.12	A63	3/4	1.30	1.65	5.12	4.09	2.05	0.39	948-006	
995Z-A63-3/4-A6.30	A63	3/4	1.30	1.65	6.30	5.28	2.05	0.39	948-006	
995Z-A63-1-A4.53	A63	1	1.73	2.05	4.53	3.50	2.28	0.39	948-006	




Shrink fit chuck HSK-A63, slim execution 3°

Mandrin de frettage HSK-A63, exécution mince 3°



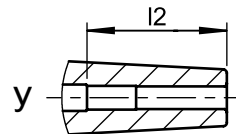
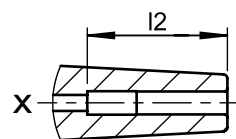
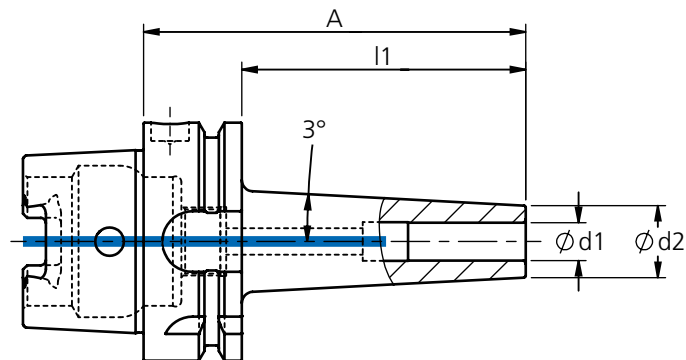
69873

69893-1

Bestell-Nr. order number No.	HSK	Ø d1	Ø d2	Ø d3	A	l1	l2	x	y	
915 - A630350	A63	3	11	-	76	50	12		x	G2,5/25.000 oder/or U<1gmm
915 - A630375	A63	3	11	-	101	75	12		x	
915 - A6303100	A63	3	11	-	126	100	12		x	
915 - A6303150	A63	3	11	-	176	150	12		x	
915 - A6303200	A63	3	11	-	226	200	12		x	
915 - A6303300	A63	3	11	-	326	300	12		x	
915 - A630450	A63	4	11	-	76	50	16		x	
915 - A630475	A63	4	11	-	101	75	16		x	
915 - A6304100	A63	4	11	-	126	100	16		x	
915 - A6304150	A63	4	11	-	176	150	16		x	
915 - A6304200	A63	4	11	-	226	200	16		x	
915 - A6304300	A63	4	11	-	326	300	16		x	
915 - A630550	A63	5	13	-	76	50	20	x		
915 - A630575	A63	5	13	-	101	75	20		x	
915 - A6305100	A63	5	13	-	126	100	20		x	
915 - A6305150	A63	5	13	-	176	150	20	x		
915 - A6305200	A63	5	13	-	226	200	20	x		
915 - A630650	A63	6	15	-	76	50	36	x		
915 - A630675	A63	6	15	-	101	75	36		x	
915 - A6306100	A63	6	15	-	126	100	36		x	
915 - A6306125	A63	6	15	-	151	125	36		x	
915 - A6306150	A63	6	15	-	176	150	36		x	
915 - A6306175	A63	6	15	-	201	175	36		x	
915 - A6306200	A63	6	15	-	226	200	36		x	
915 - A6306250	A63	6	15	-	276	250	36	x		
915 - A6306300	A63	6	15	-	326	300	36	x		
915 - A6306350	A63	6	15	-	376	350	36	x		
915 - A630850	A63	8	17	-	76	50	36	x		
915 - A630875	A63	8	17	-	101	75	36		x	
915 - A6308100	A63	8	17	-	126	100	36		x	
915 - A6308125	A63	8	17	-	151	125	36		x	
915 - A6308150	A63	8	17	-	176	150	36		x	
915 - A6308175	A63	8	17	-	201	175	36		x	
915 - A6308200	A63	8	17	-	226	200	36		x	
915 - A6308250	A63	8	17	-	276	250	36	x		
915 - A6308300	A63	8	17	-	326	300	36	x		
915 - A6308350	A63	8	17	-	376	350	36	x		


Shrink fit chuck HSK-A63, slim execution 3°

Mandrin de frettage HSK-A63, exécution mince 3°



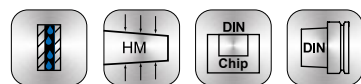
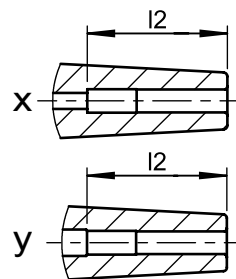
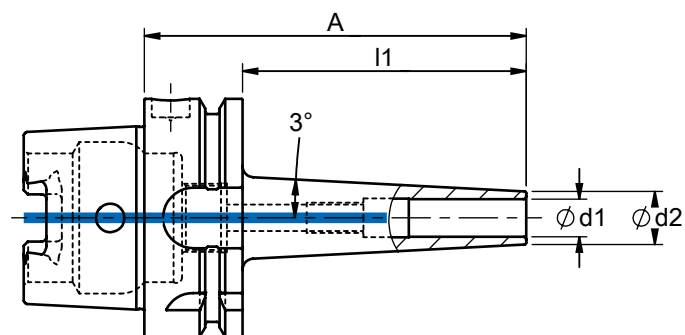
69873

69893-1


Bestell-Nr. order number No.	HSK	Ø d1	Ø d2	Ø d3	A	l1	l2	x	y	
915 - A631050	A63	10	19	-	76	50	41	x		G2,5/25.000 oder/or U<1gmm
915 - A631075	A63	10	19	-	101	75	41	x		
915 - A6310100	A63	10	19	-	126	100	41	x		
915 - A6310125	A63	10	19	-	151	125	41	x		
915 - A6310150	A63	10	19	-	176	150	41	x		
915 - A6310175	A63	10	19	-	201	175	41	x		
915 - A6310200	A63	10	19	-	226	200	41	x		
915 - A6310250	A63	10	19	-	251	250	41	x		
915 - A6310300	A63	10	19	-	326	300	41	x		
915 - A6310350	A63	10	19	-	376	350	41	x		
915 - A631250	A63	12	22	-	76	50	47	x		
915 - A631275	A63	12	22	-	101	75	47	x		
915 - A6312100	A63	12	22	-	126	100	47	x		
915 - A6312125	A63	12	22	-	151	125	47	x		
915 - A6312150	A63	12	22	-	176	150	47	x		
915 - A6312175	A63	12	22	-	201	175	47	x		
915 - A6312200	A63	12	22	-	226	200	47	x		
915 - A6312250	A63	12	22	-	276	250	47	x		
915 - A6312300	A63	12	22	-	326	300	47	x		
915 - A6312350	A63	12	22	-	376	350	47	x		
915 - A631450	A63	14	24	-	76	50	47	x		
915 - A6314100	A63	14	24	-	126	100	47	x		
915 - A6314150	A63	14	24	-	176	150	47	x		
915 - A6314200	A63	14	24	-	226	200	47	x		
915 - A6314250	A63	14	24	-	276	250	47	x		
915 - A6314300	A63	14	24	-	326	300	47	x		
915 - A6314350	A63	14	24	-	376	350	47	x		
915 - A631660	A63	16	27	-	86	60	50	x		
915 - A631675	A63	16	27	-	101	75	50	x		
915 - A6316100	A63	16	27	-	126	100	50	x		
915 - A6316150	A63	16	27	-	176	150	50	x		
915 - A6316200	A63	16	27	-	226	200	50	x		
915 - A6316250	A63	16	27	-	276	250	50	x		
915 - A6316300	A63	16	27	-	326	300	50	x		
915 - A6316350	A63	16	27	-	376	350	50	x		
915 - A631865	A63	18	30	-	91	65	50	x		
915 - A6318100	A63	18	30	-	126	100	50	x		

Shrink fit chuck HSK-A63, extra slim execution 3°

Mandrin de frettage HSK-A63, exécution extra mince 3°

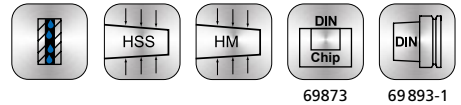
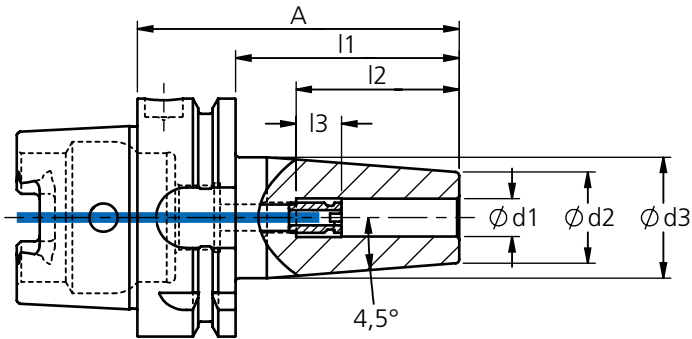


69873 69893-1

Bestell-Nr. order number No.	HSK	Ø d1	Ø d2	Ø d3	A	l1	l2	x	y	
925 - A630350	A63	3	7	-	76	50	12		x	G2,5/25.000 oder/or U<1gmm
925 - A630375	A63	3	7	-	101	75	12		x	
925 - A6303100	A63	3	7	-	126	100	12		x	
925 - A6303150	A63	3	7	-	176	150	12		x	
925 - A630450	A63	4	8	-	76	50	16		x	
925 - A630475	A63	4	8	-	101	75	16		x	
925 - A6304100	A63	4	8	-	126	100	16		x	
925 - A6304150	A63	4	8	-	176	150	16		x	
925 - A6305150	A63	5	9	-	176	150	20	x		
925 - A630650	A63	6	10	-	76	50	36	x		
925 - A630675	A63	6	10	-	101	75	36	x		
925 - A6306100	A63	6	10	-	126	100	36	x		
925 - A6306125	A63	6	10	-	151	125	36	x		
925 - A6306150	A63	6	10	-	176	150	36	x		
925 - A6306200	A63	6	10	-	226	200	36	x		
925 - A6306250	A63	6	10	-	276	250	36	x		
925 - A6306300	A63	6	10	-	326	300	36	x		
925 - A630850	A63	8	12	-	76	50	36	x		
925 - A630875	A63	8	12	-	101	75	36	x		
925 - A6308100	A63	8	12	-	126	100	36	x		
925 - A6308150	A63	8	12	-	176	150	36	x		
925 - A6308200	A63	8	12	-	226	200	36	x		
925 - A6308250	A63	8	12	-	276	250	36	x		
925 - A6308300	A63	8	12	-	326	300	36	x		
925 - A631050	A63	10	14	-	76	50	41	x		
925 - A631075	A63	10	14	-	101	75	41	x		
925 - A6310100	A63	10	14	-	126	100	41	x		
925 - A6310150	A63	10	14	-	176	150	41	x		
925 - A6310200	A63	10	14	-	226	200	41	x		
925 - A6310250	A63	10	14	-	276	250	41	x		
925 - A6310300	A63	10	14	-	326	300	41	x		
925 - A631275	A63	12	16	-	101	75	47	x		
925 - A6312100	A63	12	16	-	126	100	47	x		
925 - A6312150	A63	12	16	-	176	150	47	x		
925 - A6312200	A63	12	16	-	226	200	47	x		

Shrink fit chuck HSK-A63, standard execution 4,5° incl. length adjusting screw

Mandrin de frettage HSK-A63, exécution 4,5°, vis de réglage axial inclus



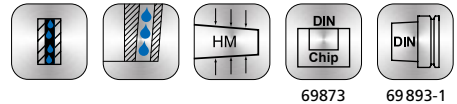
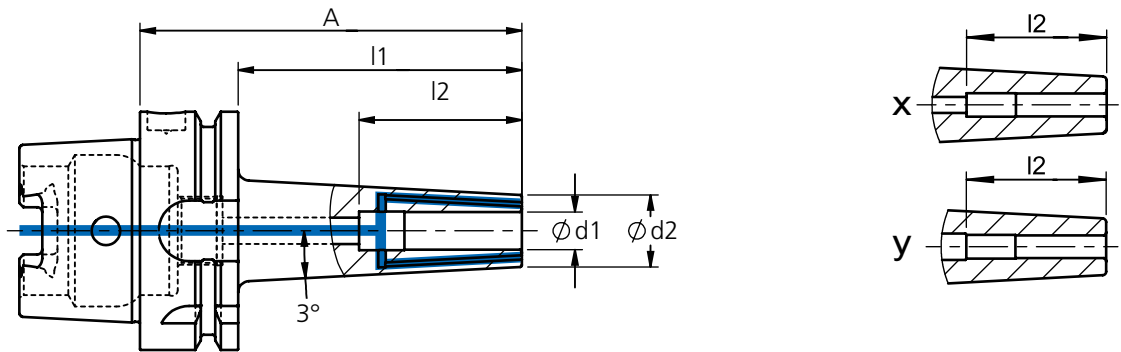
69873

69893-1

Bestell-Nr. order number No.	HSK	Ø d1	Ø d2	Ø d3	A	l1	l2	l3		
985 - A6303A80	A63	3	11	15	80	54	12	-	-	G2,5/25.000 oder/or U<1gmm
985 - A6303A120	A63	3	11	15	120	94	12	-	-	
985 - A6303A160	A63	3	11	15	160	134	12	-	-	
985 - A6304A80	A63	4	14	22	80	54	16	-	-	
985 - A6304A120	A63	4	14	22	120	94	16	-	-	
985 - A6304A160	A63	4	14	22	160	134	16	-	-	
985 - A6305A80	A63	5	16	22	80	54	20	-	-	
985 - A6305A120	A63	5	16	22	120	94	20	-	-	
985 - A6305A160	A63	5	16	22	160	134	20	-	-	
985 - A6306A70	A63	6	21	27,5	70	44	36	10	948-001	
985 - A6306A80	A63	6	21	27	80	54	36	10	948-001	
985 - A6306A120	A63	6	21	27	120	94	36	10	948-001	
985 - A6306A160	A63	6	21	27	160	134	36	10	948-001	
985 - A6306A200	A63	6	21	27	200	174	36	10	948-001	
985 - A6307A80	A63	7	21	27	80	54	36	10	948-002	
985 - A6308A70	A63	8	21	27,5	70	44	36	10	948-002	
985 - A6308A80	A63	8	21	27	80	54	36	10	948-002	
985 - A6308A120	A63	8	21	27	120	94	36	10	948-002	
985 - A6308A160	A63	8	21	27	160	134	36	10	948-002	
985 - A6308A200	A63	8	21	27	200	174	36	10	948-002	
985 - A6309A85	A63	9	24	32	85	59	41	10	948-003	
985 - A6310A70	A63	10	24	30	70	44	41	-	-	
985 - A6310A85	A63	10	24	32	85	59	41	10	948-003	
985 - A6310A120	A63	10	24	32	120	94	41	10	948-003	
985 - A6310A160	A63	10	24	32	160	134	41	10	948-003	
985 - A6310A200	A63	10	24	32	200	174	41	10	948-003	
985 - A6311A90	A63	11	24	32	90	64	47	10	948-004	
985 - A6312A70	A63	12	24	30	70	44	47	-	-	
985 - A6312A90	A63	12	24	32	90	64	47	10	948-004	
985 - A6312A120	A63	12	24	32	120	94	47	10	948-004	
985 - A6312A160	A63	12	24	32	160	134	47	10	948-004	
985 - A6312A200	A63	12	24	32	200	174	47	10	948-004	
985 - A6313A90	A63	13	27	34	90	64	47	10	948-004	


Shrink fit chuck HSK-A63, slim execution 3° with 3 cooling jets Ø1mm

Mandrin de frettage HSK-A63, exécution mince 3° avec 3 canal d'arrosage Ø1mm



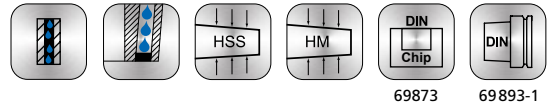
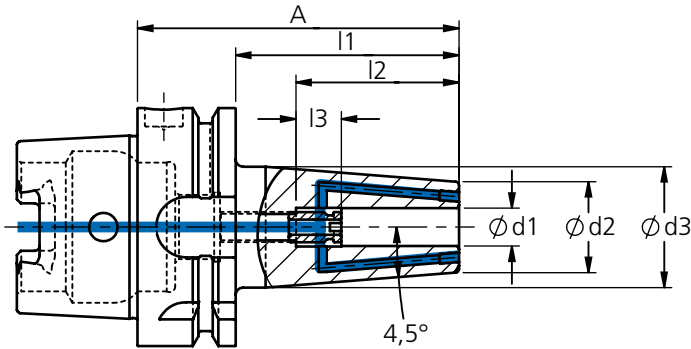
69873



69893-1

Bestell-Nr. order number No.	HSK	Ø d1	Ø d2	Ø d3	A	l1	l2	x	y	
996 - A630350	A63	3	11	-	76	50	12		x	G2,5/25.000 oder/or U<1gmm
996 - A630375	A63	3	11	-	101	75	12		x	
996 - A6303100	A63	3	11	-	126	100	12		x	
996 - A630450	A63	4	11	-	76	50	16		x	
996 - A630475	A63	4	11	-	101	75	16		x	
996 - A6304100	A63	4	11	-	126	100	16		x	
996 - A6304150	A63	4	11	-	176	150	16		x	
996 - A6304200	A63	4	11	-	226	200	16		x	
996 - A6304300	A63	4	11	-	326	300	16		x	
996 - A630575	A63	5	13	-	101	75	20		x	
996 - A6305100	A63	5	13	-	126	100	20		x	
996 - A6305150	A63	5	13	-	176	150	20	x		
996 - A630650	A63	6	15	-	76	50	36	x		
996 - A630675	A63	6	15	-	101	75	36		x	
996 - A6306100	A63	6	15	-	126	100	36		x	
996 - A6306125	A63	6	15	-	151	125	36		x	
996 - A6306150	A63	6	15	-	176	150	36		x	
996 - A6306200	A63	6	15	-	226	200	36		x	
996 - A630850	A63	8	17	-	76	50	36	x		
996 - A630875	A63	8	17	-	101	75	36		x	
996 - A6308100	A63	8	17	-	126	100	36		x	
996 - A6308125	A63	8	17	-	151	125	36		x	
996 - A6308150	A63	8	17	-	176	150	36		x	
996 - A6308200	A63	8	17	-	226	200	36		x	
996 - A631050	A63	10	19	-	76	50	41	x		
996 - A631075	A63	10	19	-	101	75	41	x		
996 - A6310100	A63	10	19	-	126	100	41	x		
996 - A6310125	A63	10	19	-	151	125	41	x		
996 - A6310150	A63	10	19	-	176	150	41	x		
996 - A6310200	A63	10	19	-	226	200	41	x		
996 - A631250	A63	12	22	-	76	50	47	x		
996 - A631275	A63	12	22	-	101	75	47	x		
996 - A6312100	A63	12	22	-	126	100	47	x		
996 - A6312125	A63	12	22	-	151	125	47	x		
996 - A6312150	A63	12	22	-	176	150	47	x		
996 - A6312200	A63	12	22	-	226	200	47	x		

Shrink fit chuck HSK-A63 execution 4,5° with closeable cooling jets, including length adjusting screw

Mandrin de frettage HSK-A63, exécution 4,5° avec canal d'arrosage obturables, vis de réglage axial inclus



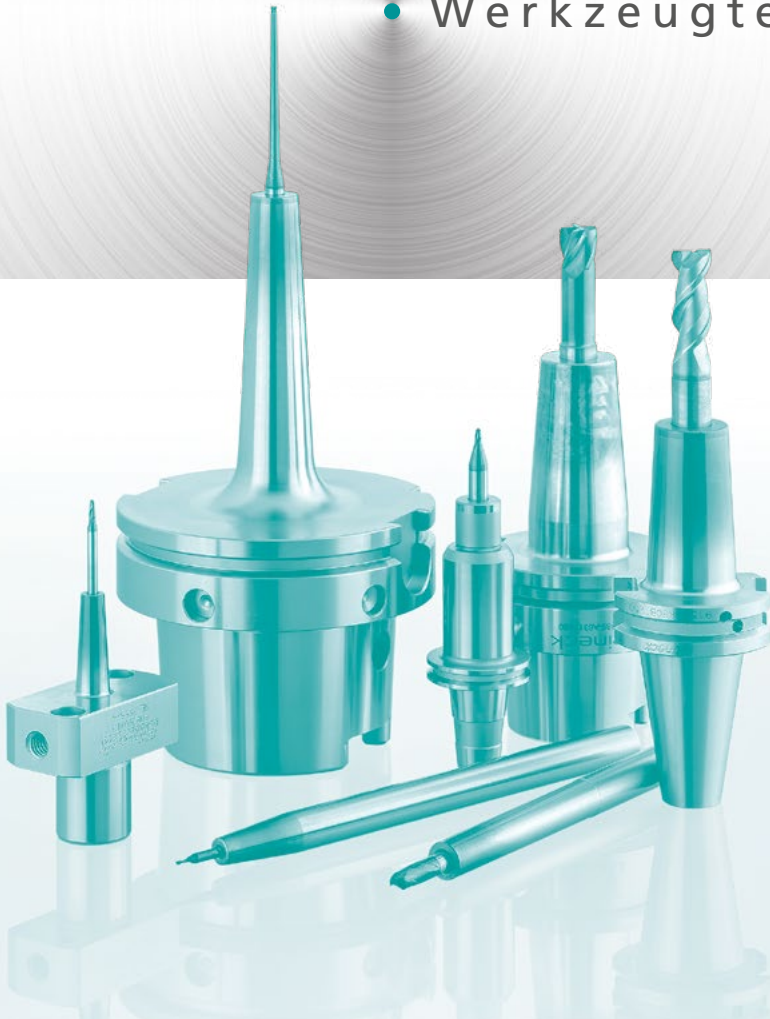
Bestell-Nr. order number No.	HSK	Ø d1	Ø d2	Ø d3	A	l1	l2	l3		
995 - A6303A80	A63	3	11	15	80	54	12	-	-	
995 - A6303A120	A63	3	11	15	120	94	12	-	-	
995 - A6303A160	A63	3	11	15	160	134	12	-	-	
995 - A6304A80	A63	4	14	22	80	54	16	-	-	
995 - A6304A120	A63	4	14	22	120	94	16	-	-	
995 - A6304A160	A63	4	14	22	160	134	16	-	-	
995 - A6305A80	A63	5	16	22	80	54	20	-	-	
995 - A6305A120	A63	5	16	22	120	94	20	-	-	
995 - A6305A160	A63	5	16	22	160	134	20	-	-	
995 - A6306A80	A63	6	21	27	80	54	36	10	948-001	
995 - A6306A120	A63	6	21	27	120	94	36	10	948-001	
995 - A6306A160	A63	6	21	27	160	134	36	10	948-001	
995 - A6308A80	A63	8	21	27	80	54	36	10	948-002	
995 - A6308A120	A63	8	21	27	120	94	36	10	948-002	
995 - A6308A160	A63	8	21	27	160	134	36	10	948-002	
995 - A6310A85	A63	10	24	32	85	59	41	10	948-003	
995 - A6310A120	A63	10	24	32	120	94	41	10	948-003	
995 - A6310A160	A63	10	24	32	160	134	41	10	948-003	
995 - A6312A90	A63	12	24	32	90	64	47	10	948-004	
995 - A6312A120	A63	12	24	32	120	94	47	10	948-004	
995 - A6312A160	A63	12	24	32	160	134	47	10	948-004	
995 - A6314A90	A63	14	27	34	90	64	47	10	948-004	
995 - A6314A120	A63	14	27	34	120	94	47	10	948-004	
995 - A6316A95	A63	16	27	34	95	69	50	10	948-005	
995 - A6316A120	A63	16	27	34	120	94	50	10	948-005	
995 - A6318A95	A63	18	33	42	95	69	50	10	948-005	
995 - A6318A120	A63	18	33	42	120	94	50	10	948-005	
995 - A6320A100	A63	20	33	42	100	74	52	10	948-006	
995 - A6320A120	A63	20	33	42	120	94	52	10	948-006	
995 - A6325A115	A63	25	44	52	115	89	58	10	948-006	
995 - A6332A120	A63	32	44	52	120	94	62	10	948-006	

G2,5/25.000
oder/or
U<1gmm

www.rineck.de

rineck

• Werkzeugtechnik



TYSON TOOL®

TYSON TOOL COMPANY LIMITED
75 Ormont Drive, Toronto, ON. M9L-2S3
Tel: (416) 746-3688 -- Fax: (416) 746-5415
www.tysonstool.com -- sales@tysonstool.com

Available From