

# MILLING SETS



## Counterbore Milling Cutter

Range\*: 1/4" to 3/4" (Inch Sets) or  
M6 to M16 (Metric Sets)

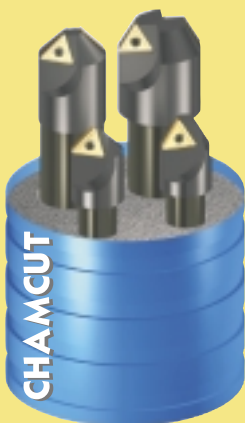
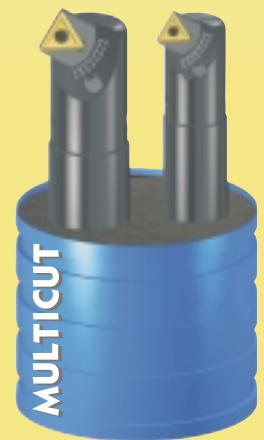
\* not inclusive

- Inch & Metric sets to machine standard cap screws counterbores
- Positive insert geometry for smooth cutting action
- Recommended for use on N/C machining centers and conventional milling machines

## Adjustable Chamfer & Countersink Milling Cutters

Range: 10° to 80°

- Adjustable to suit specific operations
- Positive angle locking system with one adjusting screw makes for easy adjustments
- Increase production rates and decrease tooling requirements
- Can be used on conventional milling machines, as well as N/C machining centers



## Chamfer & Countersink Milling Cutters

Styles: 30° & 45°

- 30° tools commonly used for weld preparation; also, where a 30° angle is required
- 45° tools excellent for general chamfering
- Ideally suited for conventional milling machines and N/C machining centers



## SET-MAXICUT

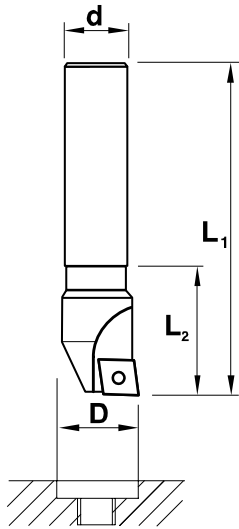
Counterbore Milling Cutters  
for Inch & Metric Cap Screws

### SET-MAXICUT-I

INCH

| DESIGNATION                | D     | d    | L <sub>1</sub>                 | L <sub>2</sub> | Cap Screw Size            |
|----------------------------|-------|------|--------------------------------|----------------|---------------------------|
| <i>INSERT : CCM_-21.5_</i> |       |      |                                |                |                           |
| TCCBE-025-CC2              | .406  | .500 | 3.00                           | .59            | 1/4                       |
| TCCBE-031-CC2              | .500  | .500 | 3.00                           | .74            | 5/16                      |
| <i>Spare parts:</i>        |       |      | <i>Insert lock screw #1425</i> |                | <i>Torx® Wrench #5507</i> |
| <i>INSERT : CCM_-32.5_</i> |       |      |                                |                |                           |
| TCCBE-037-CC3              | .594  | .625 | 3.50                           | 1.18           | 3/8                       |
| TCCBE-050-CC3              | .781  | .625 | 3.50                           | 1.26           | 1/2                       |
| TCCBE-062-CC3              | .969  | .750 | 3.50                           | 1.26           | 5/8                       |
| TCCBE-075-CC3              | 1.188 | .750 | 3.50                           | 1.26           | 3/4                       |
| <i>Spare parts:</i>        |       |      | <i>Insert lock screw #1440</i> |                | <i>Torx® Wrench #5515</i> |

Set includes all the tools in above table, excluding inserts.  
Individual tools can be ordered separately.



### SET-MAXICUT-M

METRIC

| DESIGNATION                | D  | d  | L <sub>1</sub>                 | L <sub>2</sub> | Cap Screw Size            |
|----------------------------|----|----|--------------------------------|----------------|---------------------------|
| <i>INSERT : CCM_-21.5_</i> |    |    |                                |                |                           |
| TCCBE-M6-CC2               | 11 | 12 | 85                             | 15             | M6                        |
| TCCBE-M8-CC2               | 14 | 12 | 85                             | 19             | M8                        |
| <i>Spare parts:</i>        |    |    | <i>Insert lock screw #1425</i> |                | <i>Torx® Wrench #5507</i> |
| <i>INSERT : CCM_-32.5_</i> |    |    |                                |                |                           |
| TCCBE-M10-CC3              | 17 | 16 | 95                             | 30             | M10                       |
| TCCBE-M12-CC3              | 19 | 16 | 95                             | 32             | M12                       |
| TCCBE-M14-CC3              | 22 | 16 | 95                             | 32             | M14                       |
| TCCBE-M16-CC3              | 25 | 16 | 95                             | 32             | M16                       |
| <i>Spare parts:</i>        |    |    | <i>Insert lock screw #1440</i> |                | <i>Torx® Wrench #5515</i> |

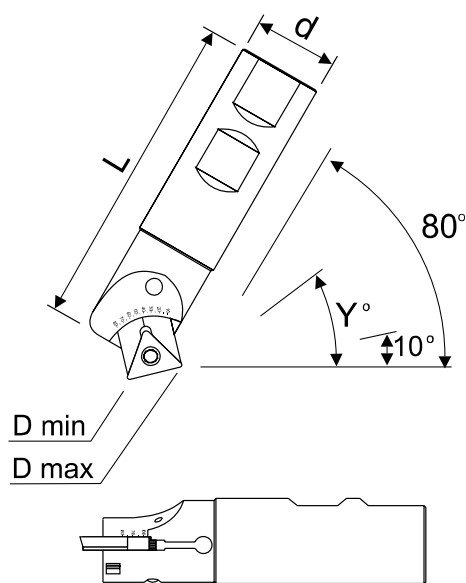
Set includes all the tools in above table, excluding inserts.  
Individual tools can be ordered separately.





# SET-MULTICUT-I

Adjustable Chamfer & Countersink  
Milling Cutters

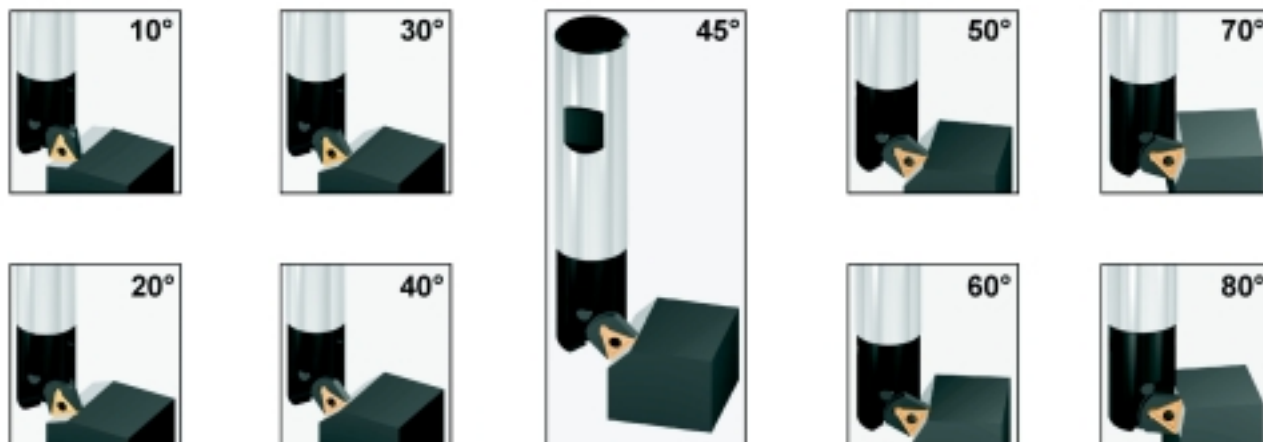


## SET-MULTICUT-I

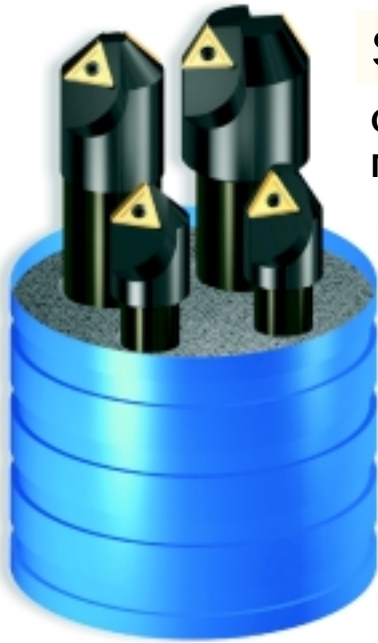
INCH

| DESIGNATION                                                             | d     | L     | Y   | D <sub>MIN</sub> | D <sub>MAX</sub> |
|-------------------------------------------------------------------------|-------|-------|-----|------------------|------------------|
| <b>INSERT : TCM_-21.5_</b>                                              |       |       |     |                  |                  |
| TIMCE-020TC2                                                            | .750  | 3.93  | 10° | .197             | 1.024            |
|                                                                         |       |       | 20° | .315             | 1.063            |
|                                                                         |       |       | 30° | .394             | 1.063            |
|                                                                         |       |       | 40° | .512             | 1.063            |
|                                                                         |       |       | 45° | .551             | 1.063            |
|                                                                         |       |       | 50° | .591             | 1.063            |
|                                                                         |       |       | 60° | .669             | 1.024            |
|                                                                         |       |       | 70° | .748             | .984             |
| 80°                                                                     | .787  | .945  |     |                  |                  |
| Spare parts: Cartridge #6926 Insert lock screw #1225 Torx® Wrench #5507 |       |       |     |                  |                  |
| <b>INSERT : TCM_-32.5_</b>                                              |       |       |     |                  |                  |
| TIMCE-020TC3                                                            | 1.000 | 3.93  | 10° | .197             | 1.260            |
|                                                                         |       |       | 20° | .236             | 1.299            |
|                                                                         |       |       | 30° | .276             | 1.339            |
|                                                                         |       |       | 40° | .394             | 1.299            |
|                                                                         |       |       | 45° | .433             | 1.299            |
|                                                                         |       |       | 50° | .512             | 1.260            |
|                                                                         |       |       | 60° | .630             | 1.220            |
|                                                                         |       |       | 70° | .748             | 1.142            |
| 80°                                                                     | .906  | 1.063 |     |                  |                  |
| Spare parts: Cartridge #6926 Insert lock screw #1440 Torx® Wrench #5515 |       |       |     |                  |                  |

Set includes the two tools in above table, excluding inserts.  
Individual tools can be ordered separately.



MULTICUT SET



## SET - CHAMCUT-I

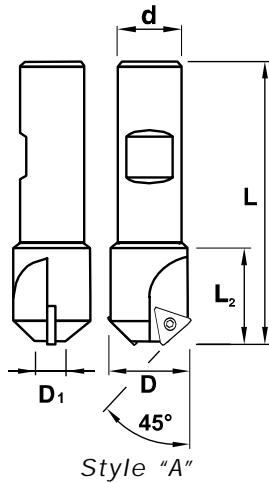
Chamfer & Countersink  
Milling Cutters

### STYLE "A" - 45°

INCH

| DESIGNATION                                                    | D    | D <sub>1</sub> | d    | L    | L <sub>2</sub> | FLUTES |
|----------------------------------------------------------------|------|----------------|------|------|----------------|--------|
| <i>INSERT : TCM_-2I.5_</i>                                     |      |                |      |      |                |        |
| TT45E-062TC2                                                   | .625 | .047           | .500 | 2.75 | .94            | 1      |
| TT45E-083TC2                                                   | .830 | .244           | .750 | 3.54 | 1.18           | 2      |
| <i>Spare parts: Insert lock screw #1425 Torx® Wrench #5507</i> |      |                |      |      |                |        |

Set includes all the tools in above table, excluding inserts.  
Individual tools can be ordered separately.

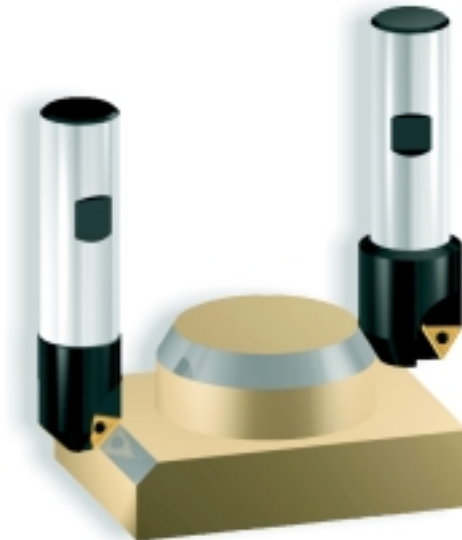
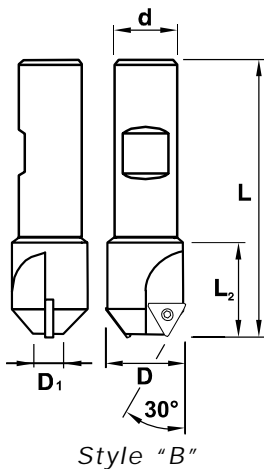


### STYLE "B" - 30°

INCH

| DESIGNATION                                                    | D     | D <sub>1</sub> | d    | L    | L <sub>2</sub> | FLUTES |
|----------------------------------------------------------------|-------|----------------|------|------|----------------|--------|
| <i>INSERT : TCM_-2I.5_</i>                                     |       |                |      |      |                |        |
| TT30E-062TC2                                                   | .625  | .213           | .500 | 2.75 | .94            | 1      |
| TT30E-102TC2                                                   | 1.020 | 1.024          | .750 | 3.54 | 1.18           | 2      |
| <i>Spare parts: Insert lock screw #1425 Torx® Wrench #5507</i> |       |                |      |      |                |        |

Set includes all the tools in above table, excluding inserts.  
Individual tools can be ordered separately.



# TYSON TOOL

TM

TYSON TOOL COMPANY LIMITED  
75 ORMONT DRIVE, TORONTO, ONTARIO, M9L-2S3  
TEL: (416) 746-3688 ~ FAX: (416) 746-5415  
INTERNET: [www.tysonstool.com](http://www.tysonstool.com) ~ E-MAIL: [sales@tysonstool.com](mailto:sales@tysonstool.com)



Available from:

Specifications are subject to change without notice. No responsibility for errors and/or printing errors will be accepted.