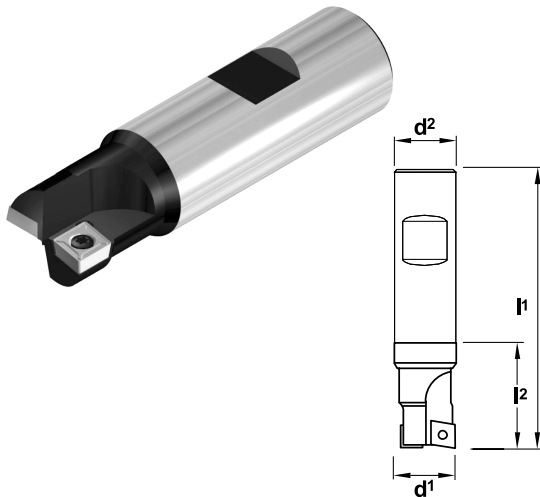


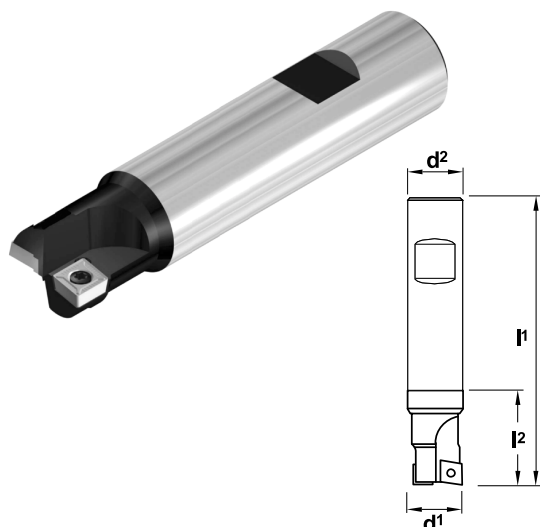
Drill Mills

- Ideal for drill milling
- Use in boring, facing, slotting and side milling
- Positive milling cutter with good chip evacuation; easy to use
- General milling cutter used in a wide range of applications
- Used on small conventional milling machines, as well as N/C machining centers



Standard Length

d ¹	DESIGNATION	d ²	l ¹	l ²	Inserts
INSERT:		CCM_-21.5_ / SP_-21.5_			
.625	TDM90E-063CS2	.625	3.25	1.00	2
.750	TDM90E-075CS2	.750	3.50	1.25	2
Spare Parts:		Torx® Insert Screw: #1425 ("C" Insert) & #1622 ("S" Insert) Torx® Wrench #5507			
INSERT:		CCM_-32.5_ / SCM_-32.5_			
1.000	TDM90E-100CS3	1.000	3.50	1.25	2
Spare Parts:		Torx® Insert Screw #1440 ("C" Insert) & #1630 ("S" Insert) Torx® Wrench #5515			
INSERT:		CCM_-43_ / SCM_-43_			
1.250	TDM90E-125CS4	1.000	3.75	1.25	2
Spare Parts:		Torx® Insert Screw #1250 ("C" & "S" Inserts) Torx® Wrench #5520			



Long Length

d ¹	DESIGNATION	d ²	l ¹	l ²	Inserts
INSERT:		CCM_-21.5_ / SP_-21.5_			
.625	TDM90E-063CS2L	.625	6.00	1.00	2
.750	TDM90E-075CS2L	.750	6.00	1.25	2
Spare Parts:		Torx® Insert Screw: #1425 ("C" Insert) & #1622 ("S" Insert) Torx® Wrench #5507			
INSERT:		CCM_-32.5_ / SCM_-32.5_			
1.000	TDM90E-100CS3L	1.000	8.00	1.25	2
Spare Parts:		Torx® Insert Screw #1440 ("C" Insert) & #1630 ("S" Insert) Torx® Wrench #5515			
INSERT:		CCM_-43_ / SCM_-43_			
1.250	TDM90E-125CS4L	1.000	8.00	1.25	2
Spare Parts:		Torx® Insert Screw #1250 ("C" & "S" Inserts) Torx® Wrench #5520			



WARNING: Cutting tools are susceptible to chipping and/or fragmenting while in use. Machine guards and personal protective clothing/equipment should be utilized at all times to prevent bodily injury from flying particles or chips. Adequate ventilation and body protection should be provided when grinding tools. Hazardous dust and mist are produced during grinding; avoid breathing of and prolonged skin contact. Workers should be provided with adequate ventilation and body protection.

