

# D'Andrea TRM Precision Boring Head Kits



**PRICING VALID**  
**THROUGH 2024**



## **D'Andrea Precision Boring Heads with .0001" (.002mm) Ø Setting Accuracy**

The D'Andrea TRM fine boring heads bring a high precision work tolerance of IT6 with excellent surface finish as low as 0.8 Ra. Utilizing a selection of boring bars, slides and cartridges an extensive range of diameters in fine boring applications can be achieved.

Fine adjustment of the boring head is achieved via a micrometric vernier scale on the dial and is easily adjusted while the boring head is in the machine tool. Within the range there are 9 different sizes of boring heads available in the regular TRM offering along with 4 exceptional value boring kits which include all tooling required to cover the diameter range of each head size.

Not only are TRM heads available with the immensely popular D'Andrea MHD coupling but now expanded with 4 additional heads using the PSC Polygon Shank Coupling to ISO 26623-2 standards.

- **Diametric adjustment of 0.0001" (0.002mm)**
- **Internal Coolant through**
- **Precision Boring Capacity of;**
  - TRM-50 – .10" to 5.51"
  - TRM-63 – .24" to 6.10"
  - TRM-80 – .24" to 8.66"
  - TRM-125 – 1.42" to 16.14"



***TYSON TOOL***®

75 Ormont Drive, Toronto ON M9L 2S3  
TEL: 416.746.3688 • FAX: 416.746.5415  
www.tysontool.com • sales@tysontool.com

# D'Andrea MHD-TRM Precision Boring Kits

Buy any Kit on this page, and Receive a FREE BT40/50 or CV40/50 or HSK-A63 Arbour!

KIT #: K01-TRM-50/50



**New Increased  
Boring Range!**  
Ø .236" - 5.51"

**SALE!**

**\$2,279.95**

**Includes Free Arbour!**

K01-TRM-50/50		
1pc. TRM-50	1pc. B3.06	1pc. SFTP-25
1pc. P25.63	1pc. B3.08	1pc. SFTP-32
1pc. PS31.24	1pc. B3.11	1pc. SFTP-50
1pc. PS32.24	1pc. B3.16	
1pc. CW32	1pc. B3.22	
5 pc. TPGX-090202L DC100		
1 pc. TPGX-110302L DC100		
2 pc. WCGT-020102L DC100		

KIT #: K01-TR-E50/50-69K  
**Digital Head**



The Kit **K01-TR-E50/50-69K Digital Boring Head** is fully digital and can be set up for either Inch or Metric read-outs. This head is water-proof to the 69K standards which include both dust and coolant sealing for many years of reliable service.

**New Increased  
Boring Range!**  
Ø .236" - 5.51"

**SALE!**

**\$3,799.95**

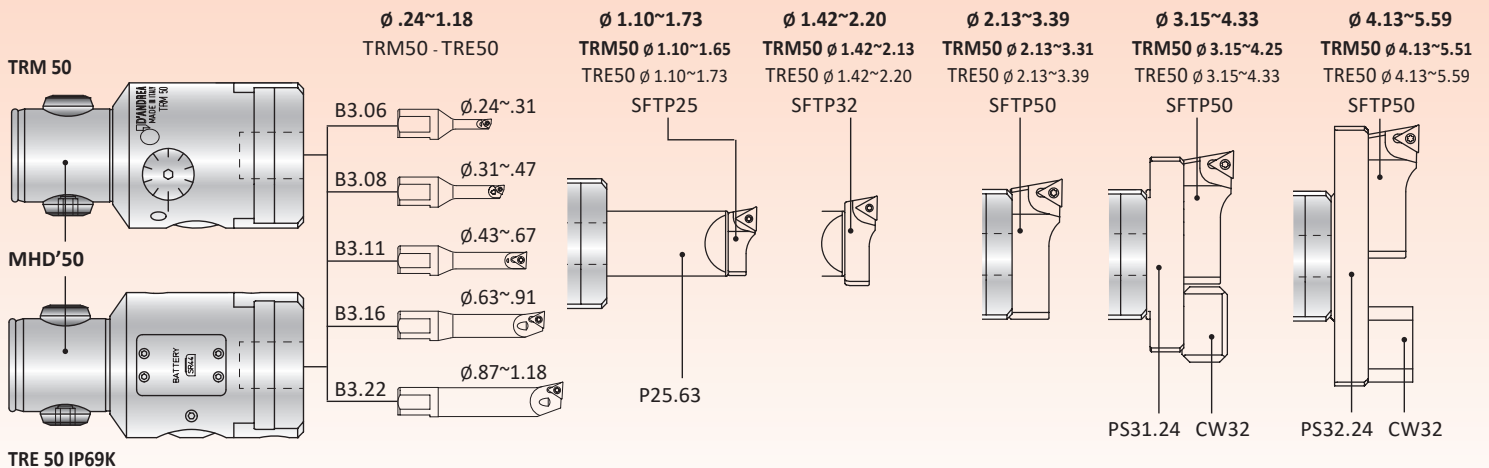
**Includes Free Arbour!**

K01-TR-E50/50	
1pc. TR-E50/50-69K	1pc. B3.06
1pc. SFTP-25	1pc. B3.08
1pc. SFTP-32	1pc. B3.11
1pc. SFTP-50	1pc. B3.16
1pc. P25.63	1pc. B3.22
PS-31.24	1pc. CW32
PS-32.24	
5 pc. TPGX-090202L DC100	
1 pc. TPGX-110302L DC100	
2 pc. WCGT-020102L DC100	

**KIT K01 TRM 50/50**

**Working Range**

**KIT K01 TR-E50/50 - Digital**



# D'Andrea MHD-TRM Precision Boring Kits

Buy any Kit on this page & Receive a FREE BT40/50 or CV40/50 or HSK-A63 Arbour!

**KIT #: K01-TRM-50/63 OR TRM-63/63**



**New Increased  
Boring Range!**

**Ø .236" - 6.10"**

**SALE!**

**\$2,669.95**

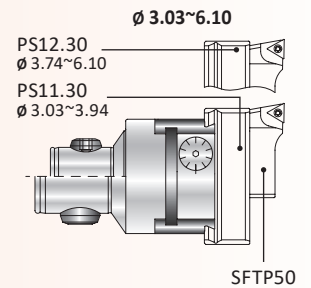
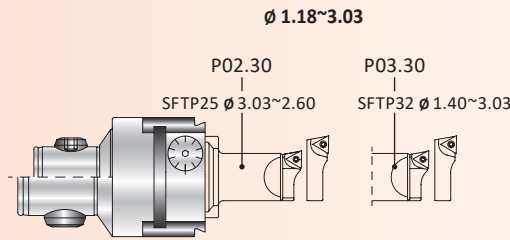
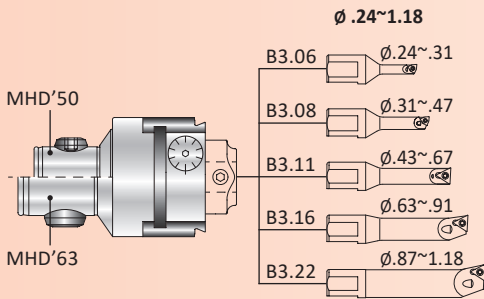
**Includes Free Arbour!**

### K01-TRM-50/63 or TRM-63/63

1pc. TRM-50/63 or TRM-63/63		
1pc. PS11.30	1pc. B3.06	1pc. SFTP-25
1pc. PS12.30	1pc. B3.08	1pc. SFTP-32
1pc. P02.30	1pc. B3.11	1pc. SFTP-50
1pc. P03.30	1pc. B3.16	
1pc. P20.30	1pc. B3.22	
5 pc. TPGX-090202L DC100		
1 pc. TPGX-110302L DC100		
2 pc. WCGT-020102L DC100		

**KIT K01 TRM 50/63 - 63/63**

**Working Range**



**KIT #: K01-TRM-50/80 OR TRM-80/80**



**Boring Range:**

**Ø .236" - 8.67"**

**SALE!**

**\$2,999.95**

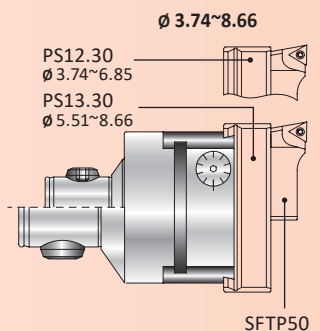
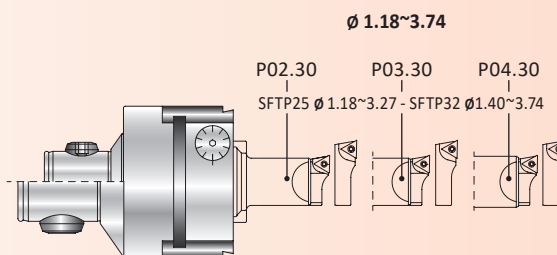
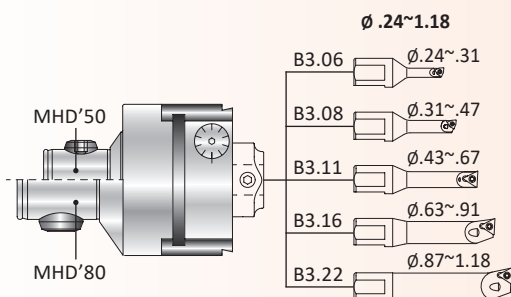
**Includes Free Arbour!**

### K01-TRM-50/80 or TRM-80/80

1pc. TRM-50/80 or TRM-80/80		
1pc. P02.30	1pc. B3.06	1pc. SFTP-25
1pc. P03.30	1pc. B3.08	1pc. SFTP-32
1pc. P04.30	1pc. B3.11	1pc. SFTP-50
1pc. P20.30	1pc. B3.16	
1pc. PS12.30	1pc. B3.22	
1pc. PS13.30		
5 pc. TPGX-090202L DC100		
1 pc. TPGX-110302L DC100		
2 pc. WCGT-020102L DC100		

**KIT K01 TRM 50/80 - 80/80**

**Working Range**



# D'Andrea MHD-TRM Precision Boring Kits

Buy this Kit & Receive a FREE BT-50 or CV-50 or HSK-A100 or PSC-80 Arbour

KIT #: K01-TRM-80/125

**SALE!**

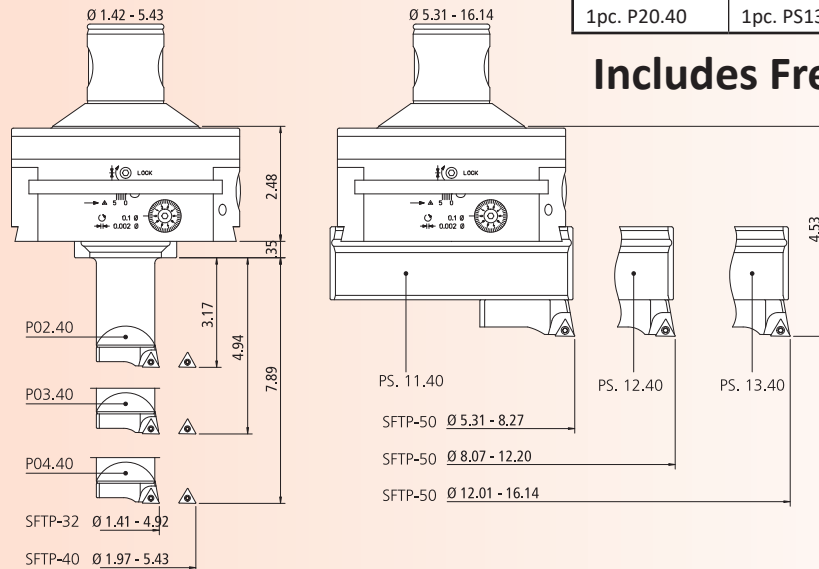
**\$3,999.95**

**Boring Range**  
 $\varnothing$  1.42" - 16.14"



K01-TRM-80/125		
1pc. TRM-80/125		
1pc. P02.40	1pc. PS11.40	1pc. SFTP-35
1pc. P03.40	1pc. PS12.40	1pc. SFTP-40
1pc. P20.40	1pc. PS13.40	1pc. SFTP-50

**Includes Free Arbour!**



## NEW D'Andrea 2024 Tooling Catalogue



The new 2024 D'Andrea catalogue featuring their complete tooling systems is now available.

Tools Include:

- MHD Modular Tooling
- PSC Modular Tooling
- TA-Centers / TA-Tronic NC Heads
- U-Tronic Large Diameter NC Heads
- AutoRadial for Facing & Boring
- TA-Sensitiv for Manual Facing & Boring applications



Visit: [www.tysonstool.com/DAndreaHeads2024.pdf](http://www.tysonstool.com/DAndreaHeads2024.pdf)



# D'Andrea PSC-TRM Precision Boring Kits

Boring Kits with PSC Polygon Shank

*Note! FREE Arbour Offer Not Valid with these PSC Boring Kits!*

**KIT #: K01-PSC50-TRM50**



**New Increased  
Boring Range!**

**Ø .236" - 5.51"**

**SALE!**

**\$2,139.95**

**with PSC50 Polygon Shank**

K01-PSC50-TRM50		
1pc. PSC50-TRM50		
1pc. P25.63	1pc. B3.06	1pc. SFTP-25
1pc. PS12.30	1pc. B3.08	1pc. SFTP-32
1pc. PS31.24	1pc. B3.11	1pc. SFTP-50
1pc. PS32.24	1pc. B3.16	
1pc. CW32	1pc. B3.22	
5 pc. TPGX-090202L DC100		
1 pc. TPGX-110302L DC100		
2 pc. WCGT-020102L DC100		

**KIT #: K01-PSC63-TRM50**



**New Increased  
Boring Range!**

**Ø .236" - 5.51"**

**SALE!**

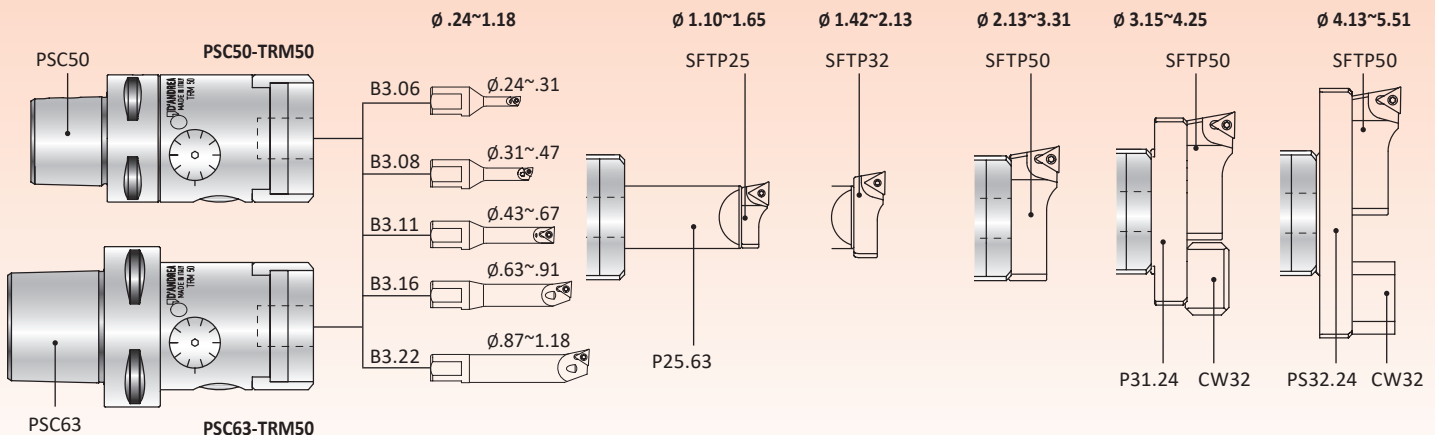
**\$2,139.95**

**with PSC63 Polygon Shank**

K01-PSC63-TRM50		
1pc. PSC63-TRM50		
1pc. P25.63	1pc. B3.06	1pc. SFTP-25
1pc. PS12.30	1pc. B3.08	1pc. SFTP-32
1pc. PS31.24	1pc. B3.11	1pc. SFTP-50
1pc. PS32.24	1pc. B3.16	
1pc. CW32	1pc. B3.22	
5 pc. TPGX-090202L DC100		
1 pc. TPGX-110302L DC100		
2 pc. WCGT-020102L DC100		

**KIT K01 PSC50-TRM50 / PSC63-TRM50**

**Working Range**



# D'Andrea PSC-TRM Precision Boring Kits

## Boring Kits with PSC Polygon Shank

**Note! FREE Arbour Offer Not Valid with these PSC Boring Kits!**

**KIT #: K01-PSC63-TRM63**



**New Increased  
Boring Range!**  
**Ø .236" - 6.10"**

**SALE!**

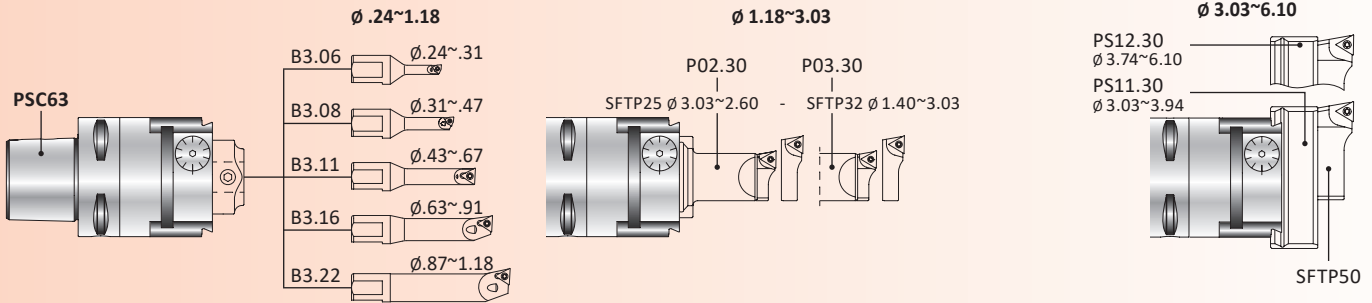
**\$2,499.95**

**with PSC63 Polygon Shank**

K01-PSC63-TRM63		
1pc. PSC63-TRM63		
1pc. PS11.30	1pc. B3.06	1pc. SFTP-25
1pc. PS12.30	1pc. B3.08	1pc. SFTP-32
1pc. P02.30	1pc. B3.11	1pc. SFTP-50
1pc. P03.30	1pc. B3.16	
1pc. P20.30	1pc. B3.22	
5 pc. TPGX-090202L DC100		
1 pc. TPGX-110302L DC100		
2 pc. WCGT-020102L DC100		

KIT K01 PSC63 - TRM63

Working Range



**KIT #: K01-PSC63-TRM80**



**Boring Range:**  
**Ø .236" - 8.66"**

**SALE!**

**\$2,899.95**

**with PSC63 Polygon Shank**

K01-PSC63-TRM80		
1pc. TRM-50/80 or TRM-80/80		
1pc. P02.30	1pc. B3.06	1pc. SFTP-25
1pc. P03.30	1pc. B3.08	1pc. SFTP-32
1pc. P04.30	1pc. B3.11	1pc. SFTP-50
1pc. P20.30	1pc. B3.16	
1pc. PS12.30	1pc. B3.22	
1pc. PS13.30		
5 pc. TPGX-090202L DC100		
1 pc. TPGX-110302L DC100		
2 pc. WCGT-020102L DC100		

KIT K01 PSC63 - TRM80

Working Range

